



## Molded High Current Power Inductors - SEP0605E SERIES



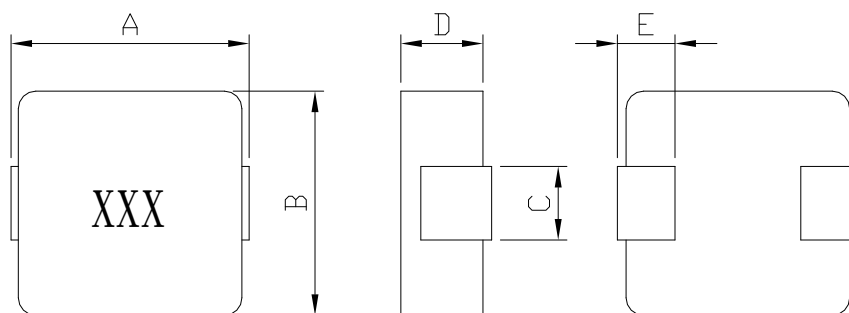
### PART NUMBERING SYSTEM

<b>SEP</b>	<b>0605E</b>	—	<b>1R0M</b>	—	<b>LF</b>
TYPE	DIMENSIONS		INDUCTANCE		LEAD FREE

### FEATURES :

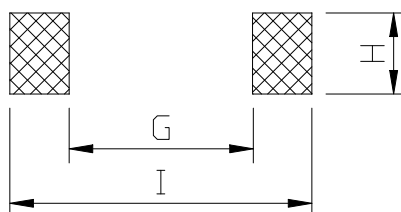
- Magnetically shielded and Lowest DCR/ $\mu$ H, in this package size .
- Inductance range : 0.33uH to 68uH with DC Current up to 32A.
- Ideal for DC – DC converter inductor application in hand help personal Computer ,etc .
- Frequency range below 1.0 MHz .
- Ultra low buzz noise, due to composite construction .
- Lead Free with RoHS compliant .

### SHAPES AND DIMENSIONS :



A=7.30±0.30 B=6.60±0.30 C=3.0±0.3 D=5.0 Max. E=1.8±0.3 UNIT : mm

### RECOMMENDED PATTERNS



H=3.5 G= 2.5 I = 8.4 UNIT : mm

## Molded High Current Power Inductors - SEP0605E SERIES



### SPECIFICATION TABLE

PART NUMBER	INDUCTANCE (μH)	Isat (A) (Typ.)	Irms (A) (Typ.)	DCR (mΩ) (Typ.)	DCR (mΩ) (Max.)	TEST FREQ. (Freq.)
SEP0605E-R33M-LF	0.33±20%	32.0	25.0	2.5	3.0	100KHz/1V
SEP0605E-R40M-LF	0.40±20%	31.0	23.0	3.1	3.7	100KHz/1V
SEP0605E-R47M-LF	0.47±20%	30.0	22.0	3.5	3.9	100KHz/1V
SEP0605E-R56M-LF	0.56±20%	27.0	20.0	3.6	4.2	100KHz/1V
SEP0605E-R60M-LF	0.60±20%	25.0	19.0	3.8	4.3	100KHz/1V
SEP0605E-R68M-LF	0.68±20%	24.0	18.0	4.0	4.5	100KHz/1V
SEP0605E-R82M-LF	0.82±20%	22.0	15.0	4.6	4.9	100KHz/1V
SEP0605E-1R0M-LF	1.0±20%	20.0	15.0	6.1	6.5	100KHz/1V
SEP0605E-1R2M-LF	1.2±20%	18.0	14.0	6.7	7.5	100KHz/1V
SEP0605E-1R5M-LF	1.5±20%	16.5	12.0	8.6	9.0	100KHz/1V
SEP0605E-1R8M-LF	1.8±20%	15.0	12.0	9.5	11.0	100KHz/1V
SEP0605E-2R2M-LF	2.2±20%	14.0	10.0	11.2	12.0	100KHz/1V
SEP0605E-3R3M-LF	3.3±20%	12.0	8.0	19.0	20.9	100KHz/1V
SEP0605E-4R7M-LF	4.7±20%	10.0	6.5	28.0	30.8	100KHz/1V
SEP0605E-5R6M-LF	5.6±20%	9.0	6.0	43.5	49.0	100KHz/1V
SEP0605E-6R8M-LF	6.8±20%	8.5	5.5	46.0	51.5	100KHz/1V
SEP0605E-8R2M-LF	8.2±20%	8.0	5.0	58.0	63.0	100KHz/1V
SEP0605E-100M-LF	10±20%	7.5	4.0	60.0	69.0	100KHz/1V
SEP0605E-150M-LF	15±20%	6.0	3.5	81.0	92.0	100KHz/1V
SEP0605E-220M-LF	22±20%	5.5	2.5	140	170	100KHz/1V
SEP0605E-330M-LF	33±20%	3.5	2.0	173	200	100KHz/1V
SEP0605E-470M-LF	47±20%	2.7	1.9	290	330	100KHz/1V
SEP0605E-560M-LF	56±20%	2.1	1.6	342	396	100KHz/1V
SEP0605E-680M-LF	68±20%	2.0	1.2	386	445	100KHz/1V

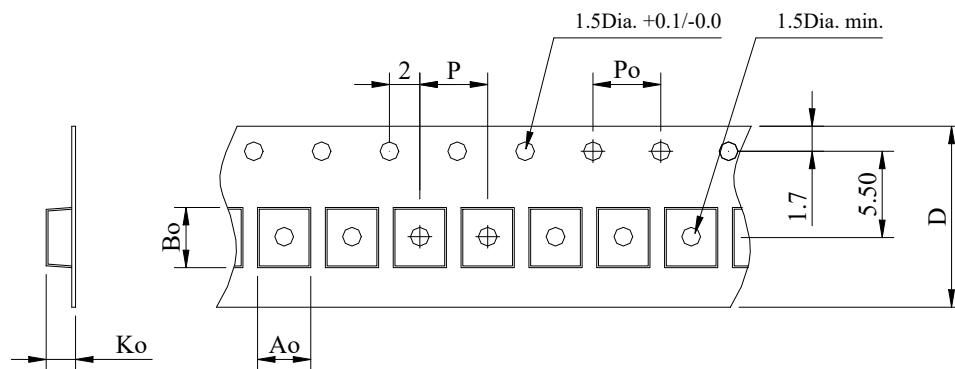
- Isat : DC current at which the inductance drops 20% (typ) from its value without current.
- I rms : Average current for a 40°C temperature rise above 25°C ambient.
- Operating temperature range -55°C to +125°C , Electrical specifications at 25°C .



## SEP0605E SERIES ~ High Current Power Inductors



### PACKAGING SPECIFICATION



STAYLE	Q'TY (PCS)	DIMENSIONS (m/m)					
		$A_o$	$B_o$	$K_o$	$P$	$P_o$	$D \pm 0.3$
13"	800	7.2	7.0	5.4	12	4.0	16